

ASTERION HRL-X are sealed maintenance-free lead-acid batteries with gas recombination system (VRLA). Are manufactured by AGM technology (electrolyte absorbed in glass fiber separators).

Thanks to the use of modern technologies in production, batteries demonstrate high operation stability and highest quality. HR refers to a range of ASTERION UPS series, specifically designed for use in UPS Data Centers, communication systems and other equipment. The series is highly reliable and has a service-life up to 12 years.



### Battery construction

Element	Positive plate	Negative plate	Case	Lid	Valve	Terminal	Separator	Electrolyte
Material	Lead dioxide	Lead	ABS		Rubber	Copper	Fiberglass	Acid

### Specifications

Nominal voltage.....	12 V
Cell.....	6
Design life.....	10-12 years
Nominal capacity (25°C)	
10 hours rate (10 A; 1,8 V/cell).....	100 Ah
5 hours rate (17,4 A; 1,75 V/cell).....	87 Ah
1 hours rate (75,1 A; 1,65 V/cell).....	75,1 Ah
Self-discharge.....	3% capacity per month 20°C
Internal resistance (25°C).....	3,7 mΩ

### Operating temperature range

Discharge.....	-20+60°C
Charge.....	-10+60°C
Storage.....	-20+60°C
Maximum discharge current (25°C).....	900A (5sec)
Cycle mode (2,35÷2,4 V/cell)	
Max.charge current.....	30 A
Temperature correction factor.....	30 mV/°C
Standby mode (2,27÷2,3 V/cell)	
Temperature correction factor.....	20 mV/°C

### Application

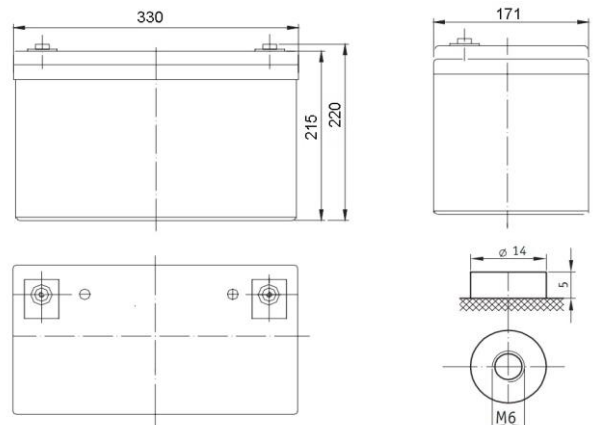
- Uninterruptable power supply
- Back up power supply
- Communication system
- Power engineering facilities
- Renewable energy systems

### Performance & characteristics

- AGM technology allows to recombine 99% of the generated gas;
- No restrictions on air transportation;
- Compliance with the UL requirements;
- Lead plates, alloyed by calcium, provide high energy density;
- Maintenance-free. Do not require distillate topping;
- Long service life;
- The battery case is made of flame-retardant ABS plastic.

### Dimensions (±2mm)

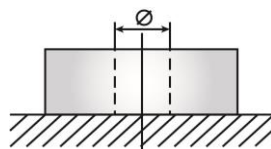
Length, mm.....	330
Width, mm.....	171
Height, mm.....	215
Height over terminals, mm.....	220
Weight (±3%), kg.....	33



Layout  
B



Terminal type  
Insert Ø6 mm

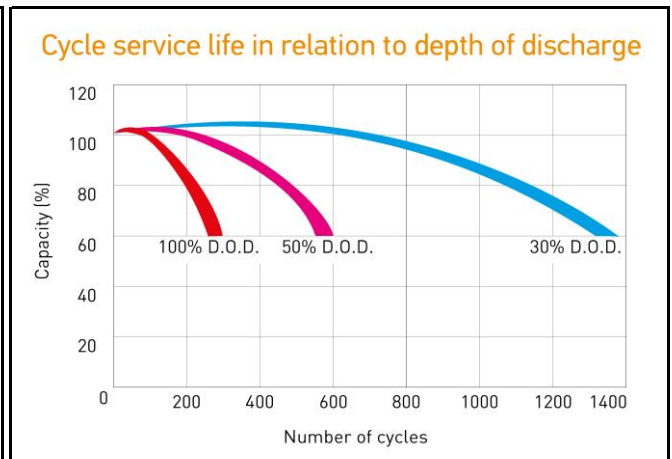
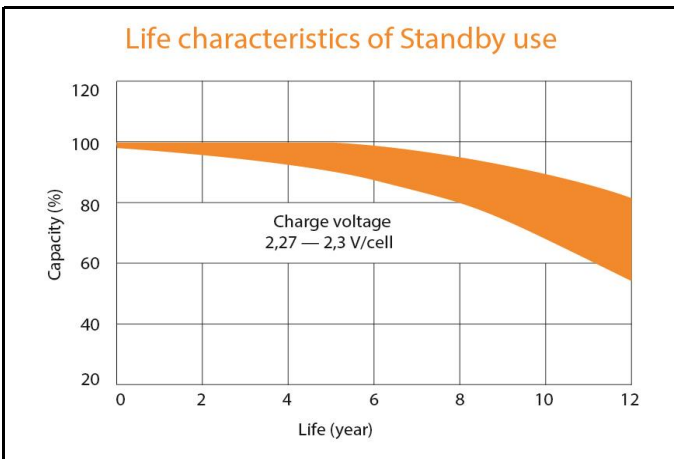
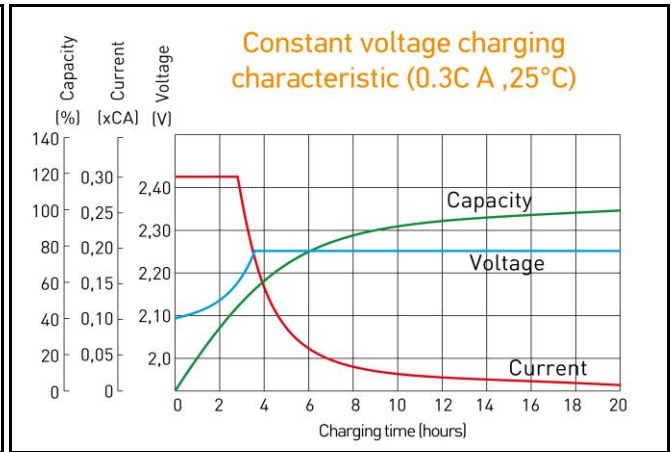
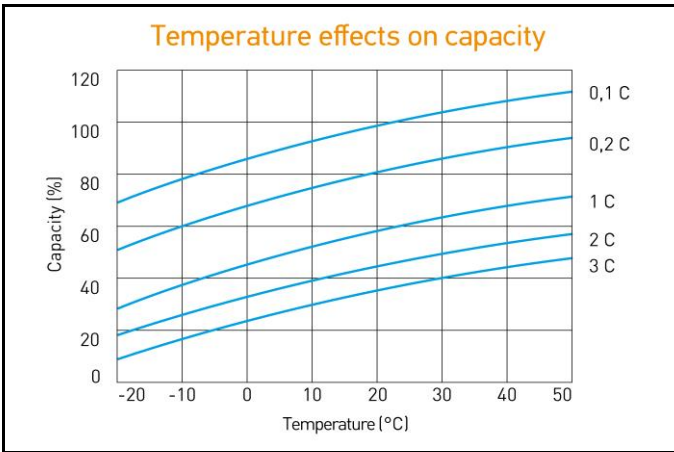


**Discharge Constant Current, A ( 25°C)**

V/cell	5 min	10 min	15 min	30 min	45 min	1 h	3 h	5 h	10 h
1,60	371	271	222	138	101	78,7	29,2	19,5	11,3
1,65	344	256	211	131	96,2	75,1	28,1	18,8	11,0
1,70	328	242	199	124	91,3	71,4	26,9	18,1	10,7
1,75	307	227	188	117	86,4	67,8	25,7	17,4	10,2
1,80	292	218	181	114	84,3	66,3	25,3	17,1	10,0

**Discharge Constant Power, W/cell ( 25°C)**

V/cell	5 min	10 min	15 min	30 min	45 min	1 h	3 h	5 h	10 h
1,60	614	470	378	243	180	140	54,1	36,6	20,7
1,65	580	453	364	235	175	136	53,2	36,1	20,7
1,70	551	435	351	227	169	133	51,9	35,4	20,5
1,75	535	418	338	219	164	129	50,8	34,7	20,0
1,80	517	400	325	211	158	125	49,4	33,9	19,4



ALL DATA IS SUBJECT TO CHANGE WITHOUT NOTICE