

ASTERION HR are sealed maintenance-free lead-acid batteries with gas recombination system (VRLA). Are manufactured by AGM technology (electrolyte absorbed in glass fiber separators). Thanks to this technology the batteries do not require the distillate refilling throughout the entire service life. HR refers to a range of ASTERION UPS series, specifically designed for use in UPS Data Centers, communication systems and other equipment.



### Battery construction

Element	Positive plate	Negative plate	Case	Lid	Valve	Terminal	Separator	Electrolyte
Material	Lead dioxide	Lead	ABS		Rubber	Copper	Fiberglass	Acid

### Specifications

Nominal voltage.....	12 V
Cell.....	6
Design life.....	10-12 years
Nominal capacity (25°C)	
10 hours rate (10 A; 1,8 V/cell).....	100 Ah
5 hours rate (17,5 A; 1,75 V/cell).....	87,5 Ah
1 hours rate (62,5 A; 1,65 V/cell).....	62,5 Ah
Self-discharge.....	3% capacity per month 25°C
Internal resistance (25°C).....	5 mΩ

### Operating temperature range

Discharge.....	-20÷60°C
Charge.....	-10÷60°C
Storage.....	-20÷60°C
Maximum discharge current (25°C).....	900A (5sec)
Cycle mode (2,35÷2,4 V/cell)	
Max.charge current.....	30 A
Temperature correction factor.....	30 mV/°C
Standby mode (2,25÷2,3 V/cell)	
Temperature correction factor.....	20 mV/°C

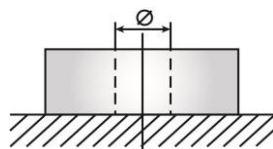
### Application

- Uninterruptable power supply
- Back up power supply
- Medical devices
- Renewable energy systems
- Portable devices
- Professional equipment

#### Layout B



#### Terminal type Insert Ø6 mm

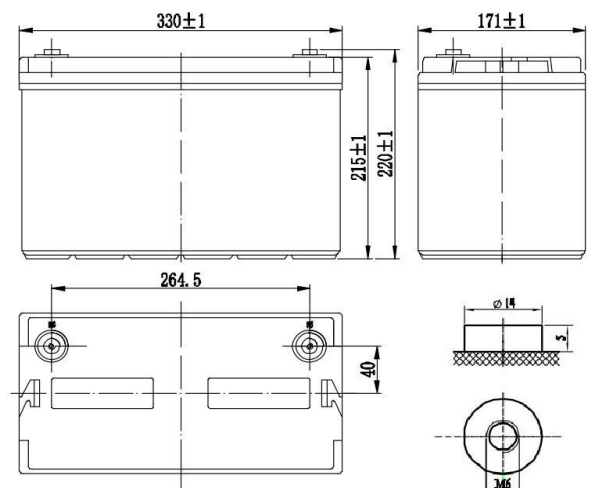


### Performance & characteristics

- AGM technology allows to recombine 99% of the generated gas;
- No restrictions on air transportation;
- Compliance with the UL requirements;
- Lead plates, alloyed by calcium, provide high energy density;
- Maintenance-free. Do not require distillate topping;
- Long service life;
- The battery case is made of flame-retardant ABS plastic.

### Dimensions (±2mm)

Length, mm.....	330
Width, mm.....	171
Height, mm.....	215
Height over terminals, mm.....	220
Weight (±3%), kg.....	32

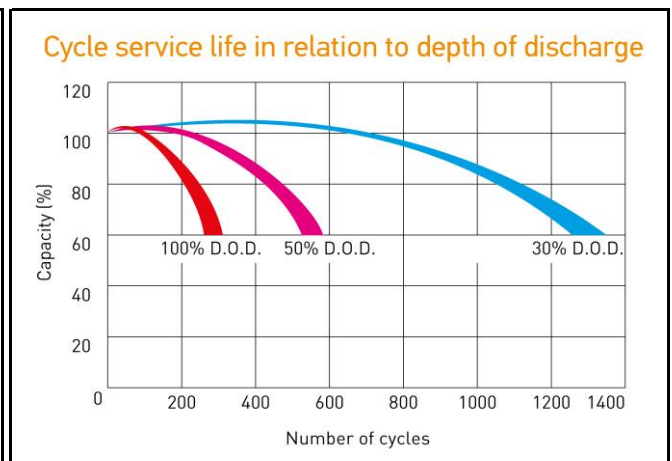
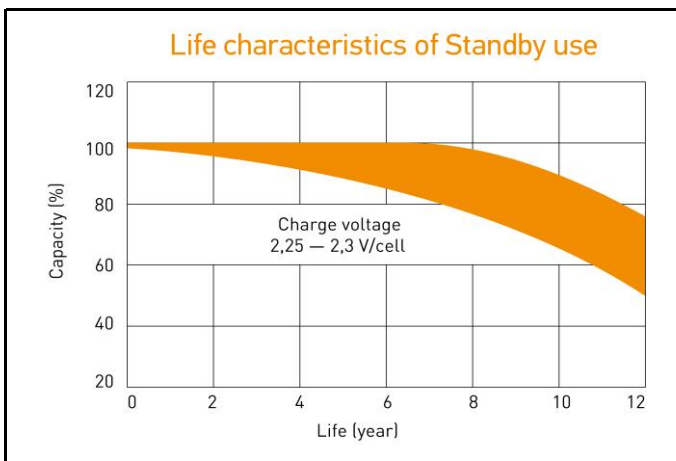
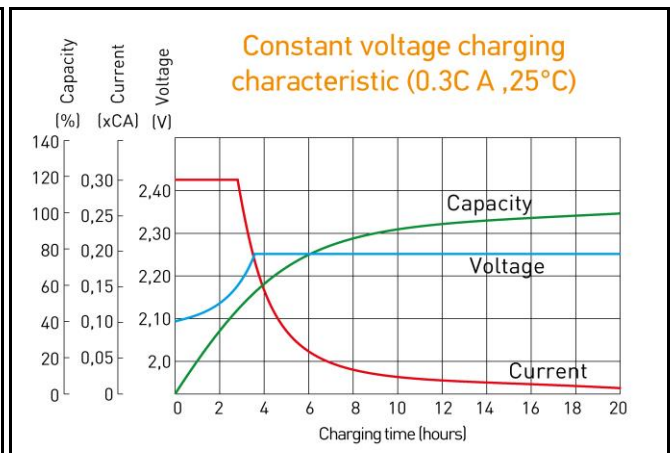
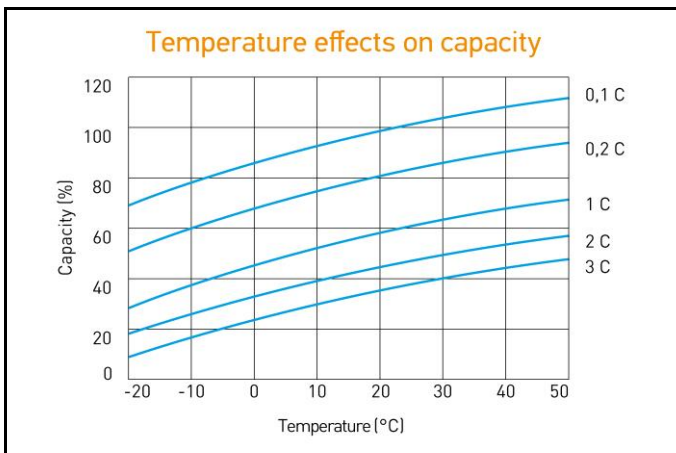


**Discharge Constant Current, A ( 25°C)**

V/cell	5 min	10 min	15 min	30 min	45 min	1 h	3 h	5 h	10 h
1,60	325	229	185	108	80,5	66,2	27,9	19,0	10,8
1,65	308	221	178	104	78,7	62,5	27,7	18,3	10,6
1,70	281	200	164	96,0	73,0	61,5	27,2	18,0	10,5
1,75	257	187	153	93,0	71,3	60,5	26,9	17,5	10,3
1,80	246	175	143	91,0	70,0	57,4	25,3	17,2	10,0

**Discharge Constant Power, W/cell ( 25°C)**

V/cell	5 min	10 min	15 min	30 min	45 min	1 h	3 h	5 h	10 h
1,60	549	392	321	199	150	124	52,8	35,8	20,3
1,65	532	379	315	188	146	118	51,2	35,4	20,1
1,70	508	360	299	183	137	114	50,9	35,0	20,0
1,75	478	353	294	177	134	111	49,1	34,4	19,6
1,80	472	329	279	171	131	104	48,5	34,0	19,1



ALL DATA IS SUBJECT TO CHANGE WITHOUT NOTICE