

ASTERION GX are sealed maintenance-free lead-acid batteries with gas recombination system (VRLA). Are manufactured by GEL technology (electrolyte immobilized by the addition of fumed silica). ASTERION GX batteries are less prone to electrolyte drainage and acid stratification.

Accordingly, gel technology offers advantage in applications where long life and deep-cycling are prime requirements, e.g. in motive power for in-plant vehicles or renewable energy systems.

The series is highly reliable and has a service-life up to 15 years.



Battery construction

Element	Positive plate	Negative plate	Case	Lid	Valve	Terminal	Separator	Electrolyte
Material	Lead dioxide	Lead	ABS		Rubber	Copper	Fiberglass	Acid

Specifications

Nominal voltage.....	12 V
Cell.....	6
Design life.....	15 years
Nominal capacity (25°C)	
10 hours rate (23 A; 1,8 V/cell).....	230 Ah
5 hours rate (44,6 A; 1,75 V/cell).....	223 Ah
1 hours rate (152 A; 1,65 V/cell).....	152 Ah
Self-discharge.....	3% capacity per month 20°C
Internal resistance (25°C).....	2,8 mΩ

Operating temperature range

Discharge.....	-20+60°C
Charge.....	-10+60°C
Storage.....	-20+60°C
Maximum discharge current (25°C).....	1100A (5sec)
Cycle mode (2,35±2,4 V/cell)	
Max.charge current.....	46 A
Temperature correction factor.....	30 mV/°C
Standby mode (2,25±2,3 V/cell)	
Temperature correction factor.....	20 mV/°C

Application

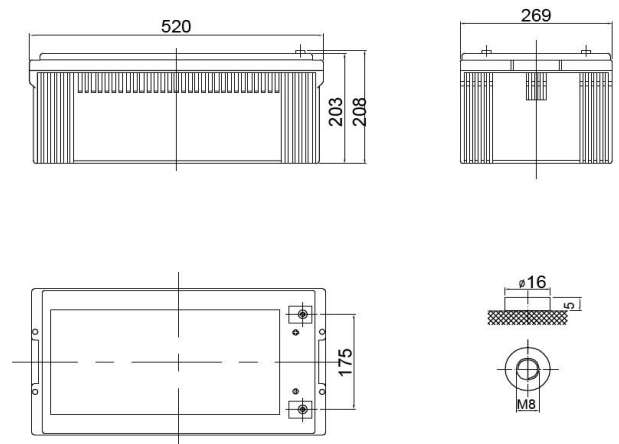
- Uninterruptable power supply
- Communication system
- Renewable energy systems
- Total energy system

Performance & characteristics

- Long service life;
- Deep discharge stability;
- Temperature stability characteristics;
- Excluded acid leaks, guaranteed safe operation with other
- There is no gas evolution, enough natural ventilation;
- Operation in any position;
- Maintenance-free. Do not require distillate topping;
- The battery case is made of flame retardant ABS plastic.

Dimensions (±2mm)

Length, mm.....	520
Width, mm.....	269
Height, mm.....	203
Height over terminals, mm.....	208
Weight (±3%), kg.....	72,6



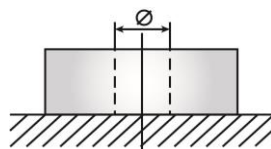
Layout

F



Terminal type

Insert Ø8 mm

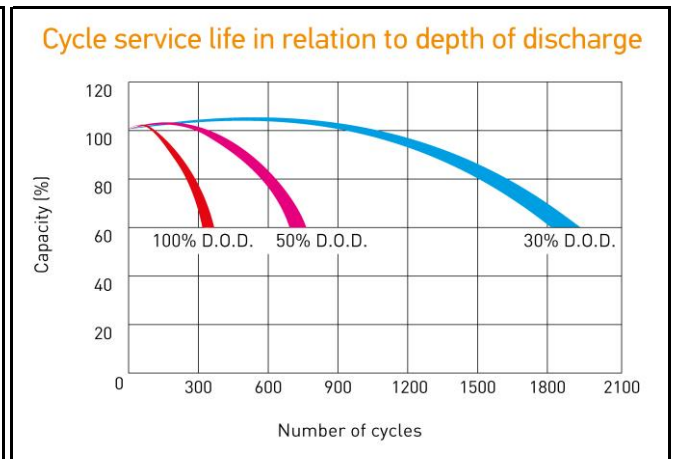
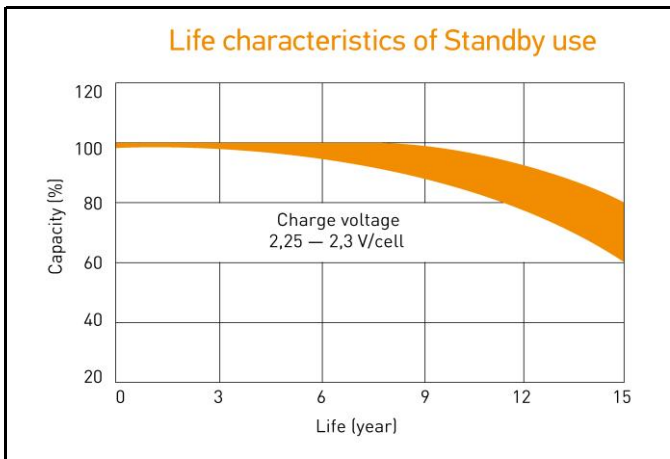
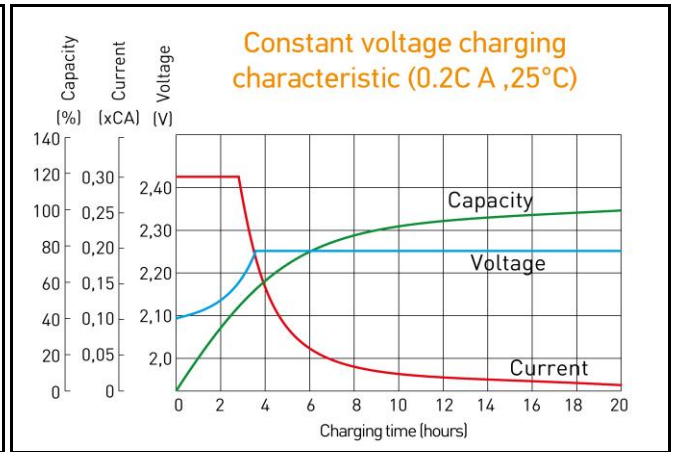
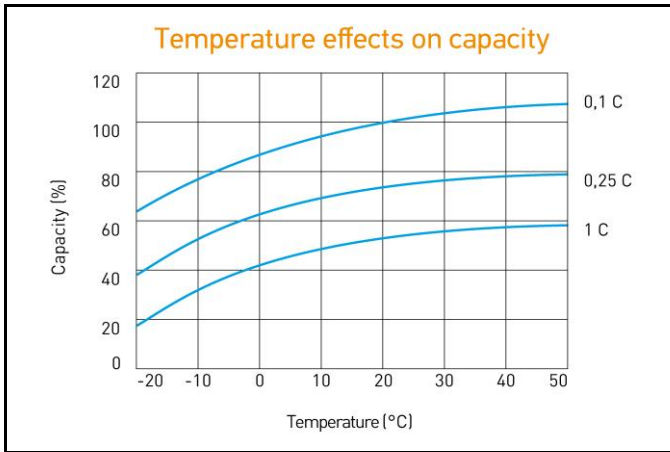


Discharge Constant Current, A (25°C)

V/cell	15 min	30 min	45 min	1 h	3 h	4 h	5 h	8 h	10 h
1,60	405	242	186	155	68,5	54,1	45,4	29,4	23,9
1,65	394	241	182	152	68,2	53,8	45,1	29,2	23,8
1,70	383	240	180	150	67,8	53,6	44,9	29,0	23,6
1,75	372	236	178	149	66,8	53,0	44,6	28,6	23,1
1,80	360	233	176	147	66,5	52,7	44,3	28,4	23,0

Discharge Constant Power, W/cell (25°C)

V/cell	15 min	30 min	45 min	1 h	3 h	4 h	5 h	8 h	10 h
1,60	680	469	361	296	131	104	86,7	56,4	45,6
1,65	673	466	359	294	130	103	86,4	55,9	45,4
1,70	666	462	357	291	129	102	86,1	55,6	45,1
1,75	658	459	355	288	128	102	85,8	54,9	44,6
1,80	649	455	352	284	126	101	85,4	54,7	44,3



ALL DATA IS SUBJECT TO CHANGE WITHOUT NOTICE