

Sealed maintenance-free lead-acid batteries series DTM L ASTERION brand are manufactured by AGM technology (electrolyte absorbed in glass fiber separators) and equipped with VRLA valves. Series DTM L refers to a Long-Life series with a service-life up to 12 years.

Due to a wide range of batteries and their high performance, are recommended for use in a variety of uninterruptible power supply systems, including exacting electrical appliances (submersible and circulation pumps, boilers of heating systems), emergency power supply and other electrical devices.



Battery construction

Element	Positive plate	Negative plate	Case	Lid	Valve	Terminal	Separator	Electrolyte
Material	Lead dioxide	Lead	ABS		Rubber	Copper	Fiberglass	Acid

Specifications

Nominal voltage.....	12 V
Cell.....	6
Design life.....	10-12 years
Nominal capacity (25°C)	
10 hours rate (20 A; 1,8 V/cell).....	200 Ah
5 hours rate (36 A; 1,75 V/cell).....	180 Ah
1 hours rate (128 A; 1,6 V/cell).....	128 Ah
Self-discharge.....	3% capacity per month 25°C
Internal resistance (25°C).....	3,5 mΩ

Operating temperature range

Discharge.....	-20÷60°C
Charge.....	-10÷60°C
Storage.....	-20÷60°C
Maximum discharge current (25°C).....	1000A (5sec)
Cycle mode (2,35÷2,4 V/cell)	
Max.charge current.....	60 A
Temperature correction factor.....	30 mV/°C
Standby mode (2,25÷2,3 V/cell)	
Temperature correction factor.....	20 mV/°C

Application

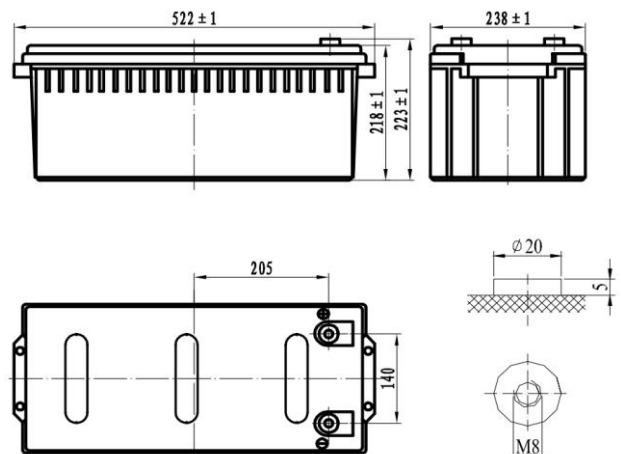
- Uninterruptable power supply
- Back up power supply
- Medical devices
- Wheelchair
- Space-heating system
- Renewable energy systems

Performance & characteristics

- AGM technology allows to recombine 99% of the generated gas;
- No restrictions on air transportation;
- Compliance with the UL requirements;
- Lead plates, alloyed by calcium, provide high energy density;
- Maintenance-free. Do not require distillate topping;
- Long service life;
- The battery case is made of flame-retardant ABS plastic.

Dimensions (±2mm)

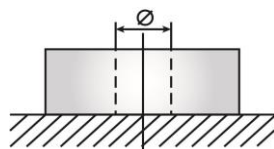
Length, mm.....	522
Width, mm.....	238
Height, mm.....	218
Height over terminals, mm.....	223
Weight (±3%), kg.....	59



Layout
F



Terminal type
Insert Ø8 mm

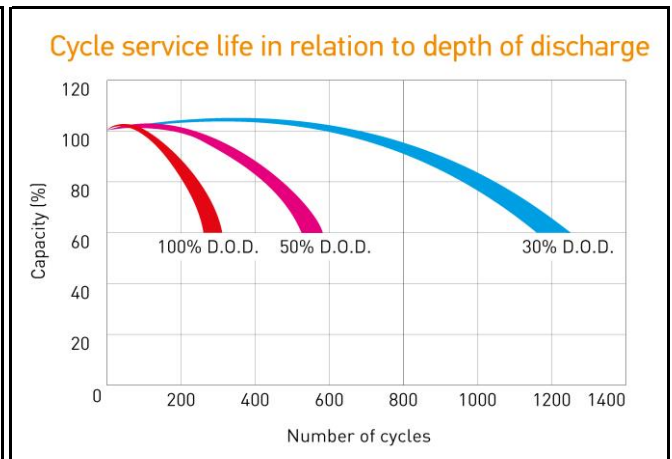
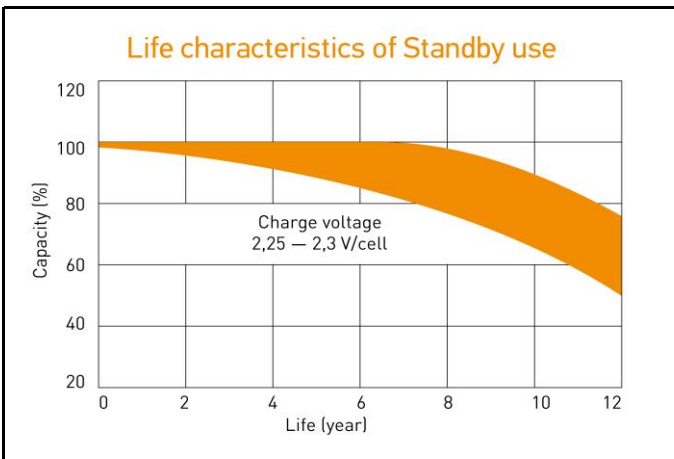
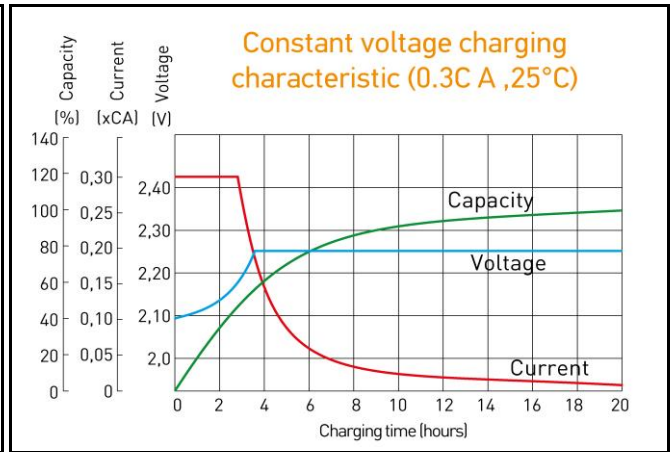
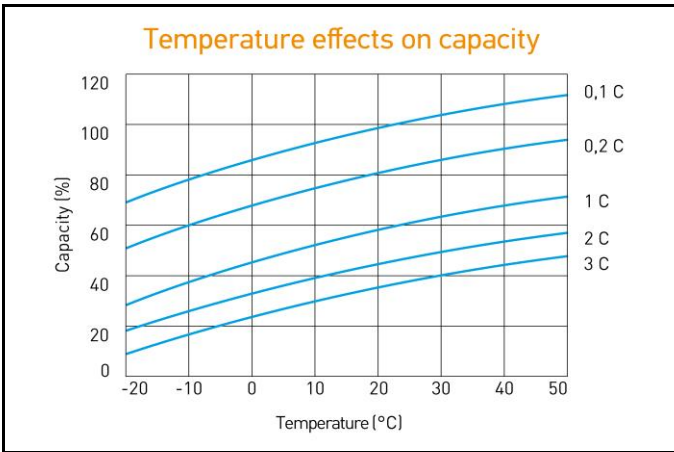


Discharge Constant Current, A (25°C)

V/cell	5 min	10 min	15 min	30 min	45 min	1 h	3 h	5 h	10 h
1,60	614	440	360	220	159	128	57,6	38,2	20,4
1,65	574	419	350	212	153	124	55,6	37,2	20,3
1,70	543	400	337	206	149	120	55,0	36,6	20,2
1,75	517	382	319	200	145	117	53,4	36,0	20,1
1,80	444	331	269	187	140	114	51,0	35,4	20,0

Discharge Constant Power, W/cell (25°C)

V/cell	5 min	10 min	15 min	30 min	45 min	1 h	3 h	5 h	10 h
1,60	1 038	756	625	402	294	230	109	73,0	40,2
1,65	969	729	604	390	286	225	107	72,0	39,2
1,70	925	704	586	382	279	221	105	71,2	38,4
1,75	907	679	578	372	274	217	101	70,2	37,6
1,80	789	597	492	355	270	215	98,0	69,3	36,7



ALL DATA IS SUBJECT TO CHANGE WITHOUT NOTICE