

VRLA sealed lead acid batteries ASTERION DT series are specifically designed for use in low current systems. They are manufactured using AGM technology (electrolyte absorbed in a fiberglass separator).

ASTERION DT series batteries comes with a good price-performance ratio, which leads to the widespread use of the series in fire alarms and other security systems.

Meeting the international security standards, they are recommended for use in access control and management systems.



Battery construction

Element	Positive plate	Negative plate	Case	Lid	Valve	Terminal	Separator	Electrolyte
Material	Lead dioxide	Lead	ABS		Rubber	Copper	Fiberglass	Acid

Specifications

Nominal voltage.....12 B
 Cell.....6
 Design life.....10 years
 Nominal capacity (25°C)
 20 hours rate (7,5 A; 1,75 V/cell).....150 Ah
 10 hours rate (14,3 A; 1,75 V/cell).....143 Ah
 5 hours rate (24,8 A; 1,70 V/cell).....124 Ah
 Self-discharge.....3% capacity per month 25°C
 Internal resistance (25°C).....6,5 mΩ

Operating temperature range

Discharge..... -15÷50°C
 Charge..... -10÷50°C
 Storage..... -20÷50°C
 Maximum discharge current (25°C).....1500A (5sec)
 Cycle mode (2,4÷2,5 V/cell)
 Max.charge current.....45 A
 Temperature correction factor.....30 mV/°C
 Standby mode (2,27÷2,3 V/cell)
 Temperature correction factor.....20 mV/°C

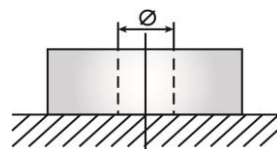
Application

- Safety system
- Electronic Cash Registers (ECR)
- Electronic test equipment
- Emergency light systems
- Geophysical and geodetic equipment
- Control and access systems

Layout
B



Terminal type
Insert Ø8

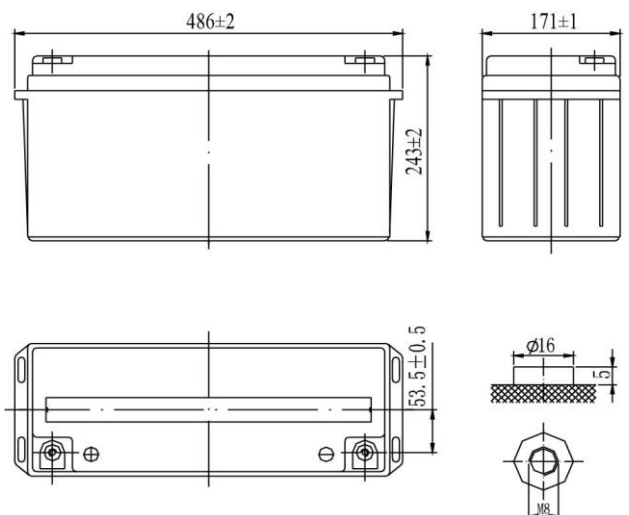


Performance & characteristics

- AGM technology allows to recombine 99% of the generated gas;
- No restrictions on air transportation;
- Compliance with the UL requirements;
- Lead plates, alloyed by calcium, provide high energy density;
- Maintenance-free. Do not require distillate topping;
- Long service life;
- The battery case is made of flame-retardant ABS

Dimensions (±2mm)

Length, mm.....486
 Width, mm.....171
 Height, mm.....243
 Height over terminals, mm.....243
 Weight (±3%), kg.....40

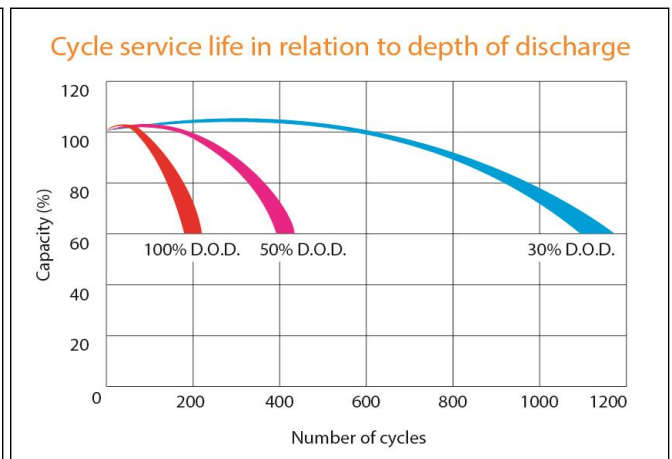
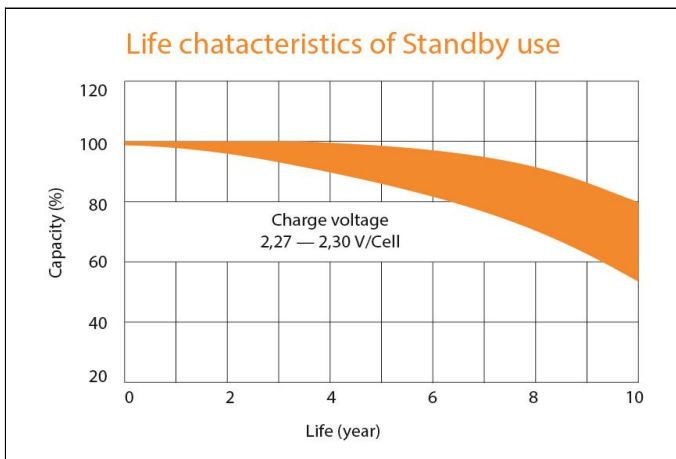
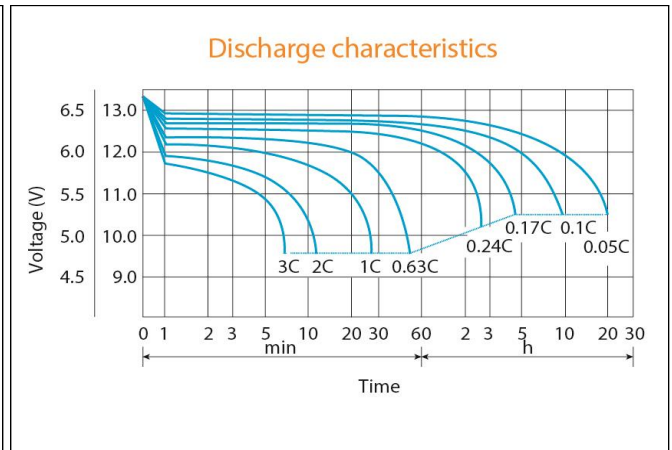
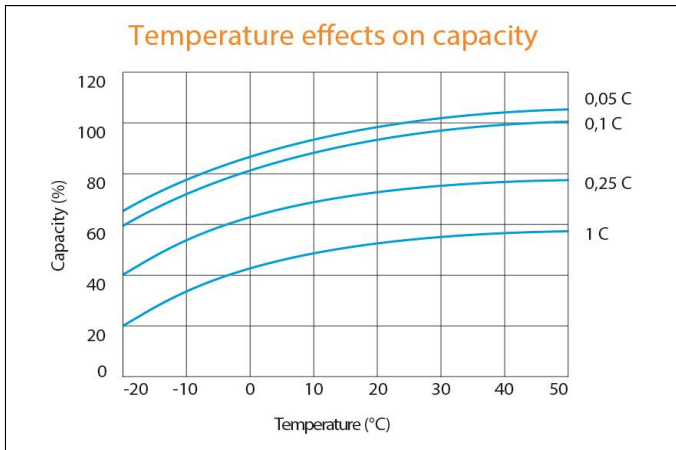


Discharge Constant Current, A (25°C)

V/cell	5 min	10 min	15 min	30 min	1 h	3 h	5 h	10 h	20 h
1,60	580	380	293	181	96,9	40,4	25,5	15,0	7,78
1,65	530	364	281	174	94,7	39,4	25,2	14,8	7,73
1,70	463	330	254	163	92,8	38,6	24,8	14,5	7,63
1,75	425	311	240	156	91,2	38,0	24,4	14,3	7,50
1,80	417	306	235	153	89,5	37,3	24,0	14,0	7,36

Discharge Constant Power, W/cell (25°C)

V/cell	5 min	10 min	15 min	30 min	1 h	3 h	5 h	10 h	20 h
1,60	995	673	535	350	188	78,2	49,8	28,9	15,2
1,65	932	657	519	339	184	76,7	49,2	28,7	15,1
1,70	818	603	481	317	181	75,3	48,5	28,3	14,9
1,75	760	573	454	305	178	74,0	47,6	27,9	14,6
1,80	755	570	452	299	175	72,7	46,7	27,3	14,4



ALL DATA IS SUBJECT TO CHANGE WITHOUT NOTICE