

VRLA sealed lead acid batteries ASTERION DT series are specifically designed for use in low current systems. They are manufactured using AGM technology (electrolyte absorbed in a fiberglass separator).

ASTERION DT series batteries comes with a good price-performance ratio, which leads to the widespread use of the series in fire alarms and other security systems.

Meeting the international security standards, they are recommended for use in access control and management systems.



**Battery construction**

Element	Positive plate	Negative plate	Case	Lid	Valve	Terminal	Separator	Electrolyte
Material	Lead dioxide	Lead	ABS		Rubber	Copper	Fiberglass	Acid

**Specifications**

Nominal voltage.....12 V  
 Cell.....6  
 Design life.....7-10 years  
 Nominal capacity (25°C)  
     20 hours rate (6 A; 1,75 V/cell).....120 Ah  
     10 hours rate (10,1 A; 1,75 V/cell).....101 Ah  
     5 hours rate (19,7 A; 1,70 V/cell).....98,5 Ah  
 Self-discharge.....3% capacity per month 25°C  
 Internal resistance (25°C).....6 mΩ

**Operating temperature range**

Discharge..... -15÷50°C  
 Charge..... -10÷50°C  
 Storage..... -20÷50°C  
 Maximum discharge current (25°C).....1000A (5sec)  
 Cycle mode (2,4÷2,5 V/cell)  
     Max.charge current.....36 A  
     Temperature correction factor.....30 mV/°C  
 Standby mode (2,27÷2,3 V/cell)  
     Temperature correction factor.....20 mV/°C

**Application**

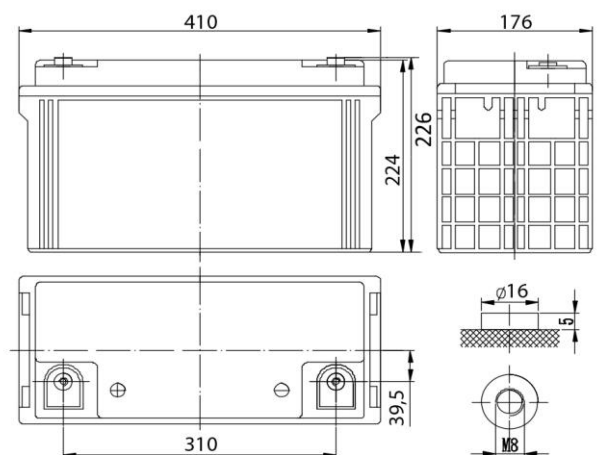
- Safety system
- Electronic Cash Registers (ECR)
- Electronic test equipment
- Emergency light systems
- Geophysical and geodetic equipment
- Control and access systems

**Performance & characteristics**

- AGM technology allows to recombine 99% of the generated gas;
- No restrictions on air transportation;
- Compliance with the UL requirements;
- Lead plates, alloyed by calcium, provide high energy density;
- Maintenance-free. Do not require distillate topping;
- Long service life;
- The battery case is made of flame-retardant ABS

**Dimensions (±2mm)**

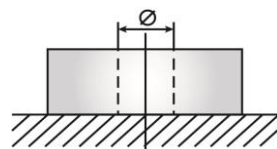
Length, mm.....410  
 Width, mm.....176  
 Height, mm.....224  
 Height over terminals, mm.....226  
 Weight (±3%), kg.....32



**Layout B**



**Terminal type Insert Ø8**

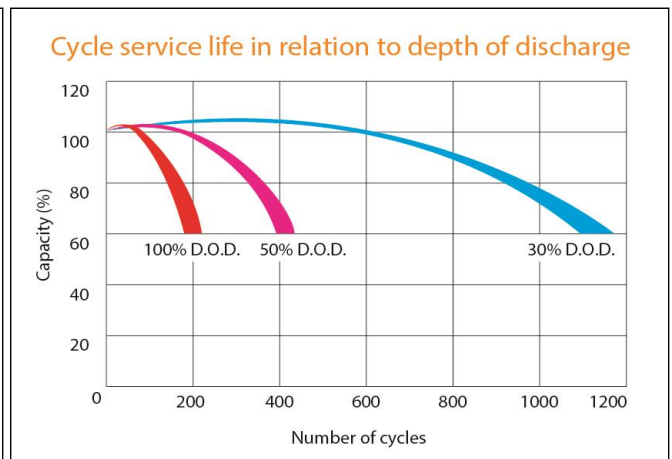
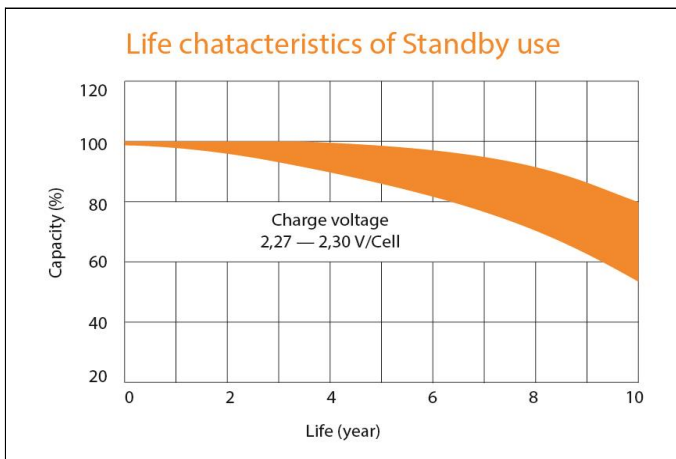
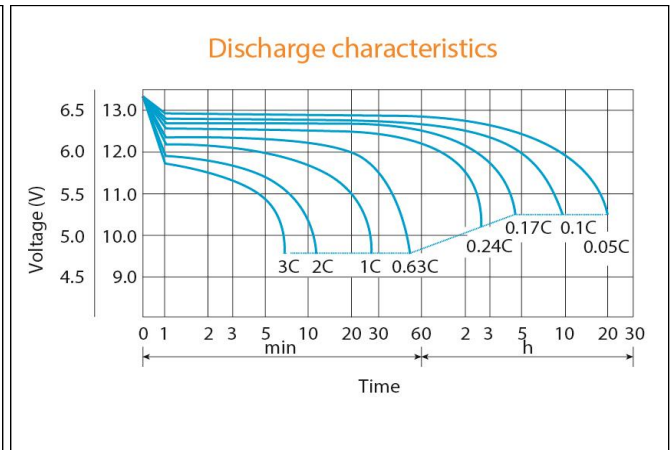
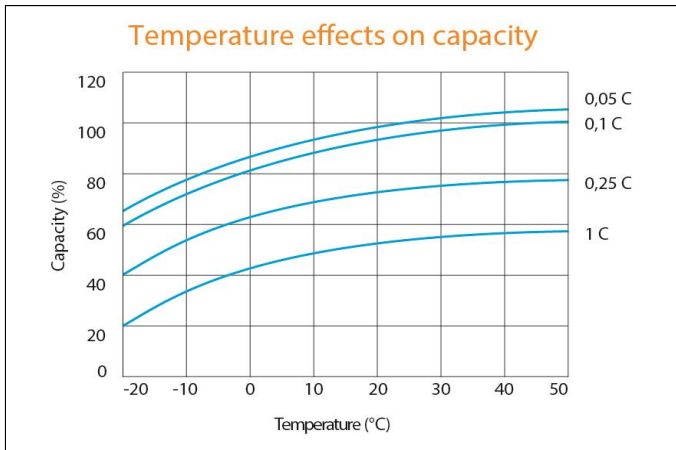


**Discharge Constant Current, A ( 25°C)**

V/cell	5 min	10 min	15 min	30 min	1 h	3 h	5 h	10 h	20 h
1,60	406	285	209	130	74,9	31,7	20,5	10,5	6,18
1,65	370	266	200	125	73,1	31,0	20,2	10,4	6,14
1,70	318	237	185	117	69,5	29,9	19,7	10,2	6,06
1,75	278	214	172	111	66,7	29,2	19,4	10,1	6,00
1,80	246	193	159	106	64,3	28,3	18,9	10,0	5,90

**Discharge Constant Power, W/cell ( 25°C)**

V/cell	5 min	10 min	15 min	30 min	1 h	3 h	5 h	10 h	20 h
1,60	672	485	366	236	141	60,6	39,5	20,5	12,2
1,65	624	460	355	229	138	59,5	39,0	20,4	12,1
1,70	547	416	331	217	132	57,6	38,3	20,1	12,0
1,75	493	383	312	206	127	56,5	37,7	19,9	11,9
1,80	445	361	294	198	123	54,9	37,0	19,8	11,7



ALL DATA IS SUBJECT TO CHANGE WITHOUT NOTICE